

Replacement of Filter Cartridges

1. Turn off the black headed non return isolating valve. Depress the red buttons on top of both filter housings to release pressure.
2. Unscrew sump from each filter head.
3. Inspect and clean the filter sumps by using luke warm water, detergent and a bottle scrubber. Thoroughly rinse.

Note: Lubricate the O ring on the sump with a light coating of food grade non-petroleum based lubricant or vegetable oil.

4. Insert new Aqua-Pure cartridges into filter sumps

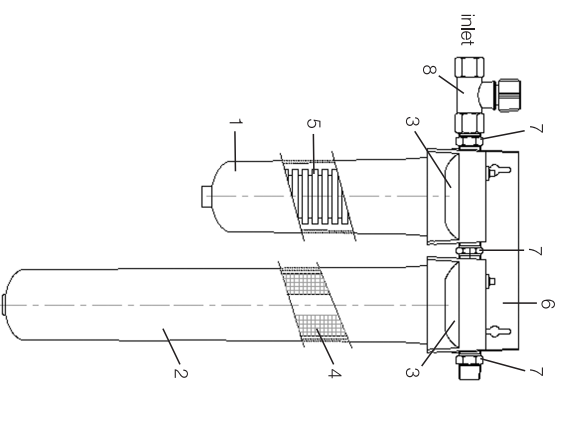
Filter housing #1 Fit 1 x AP110 dirt/rust filter cartridge
Filter housing #2 Fit 2 x AP117 taste/odour improvement filter cartridge

5. Screw the sump into the filter head; continue turning until the sump fits snugly. Hand tighten only.
6. Turn on the isolating valve slowly and depress the red buttons on the top of the housing. This will bleed the air as water fills the housing. Release the buttons when water appears.

Note: After changing the filter cartridges, water being delivered may appear to be "milky". Do not be concerned as this is caused by tiny air bubbles being expelled from the new cartridges. Flush water through system.

The system is now ready to use.

Don't forget to complete the attached warranty registration which includes our cartridge replacement reminder service & survey or complete online at www.aqua-pure.com.au



Ref	Description	Qty
1	AP11S filter housing	1
2	AP12S filter housing	1
3	AP11S filter housing head	2
4	AP117 filter cartridge	2
5	AP110 filter cartridge	1
6	Bracket	1
7	3/4" x 3/4" bsp nipple	3
8	Non return isolating valve	1

WARRANTY

Your Aqua-Pure water filter system is designed to operate at a maximum pressure of 900 kPa at a maximum temperature of 40°C. Cuno Pacific Pty Ltd warrants this filter system to be free of defects of material and workmanship for a period of one year from date of purchase. This warranty is expressly limited to the repair or replacement at our factory for any part or parts proving defective providing the filter system was installed according to instructions and that the temperature and pressure did not exceed the stated limitations. Save insofar as they may be excluded by law, this warranty is given in lieu of all other express or implied warranties or conditions and Cuno Pacific Pty Ltd shall in no event be held liable for damages or delays caused by defects and assumes no responsibility for unauthorised repairs.

Cuno Pacific Pty Ltd

CUNOCARE  **1300 FILTER**
3 4 5 8 3 7



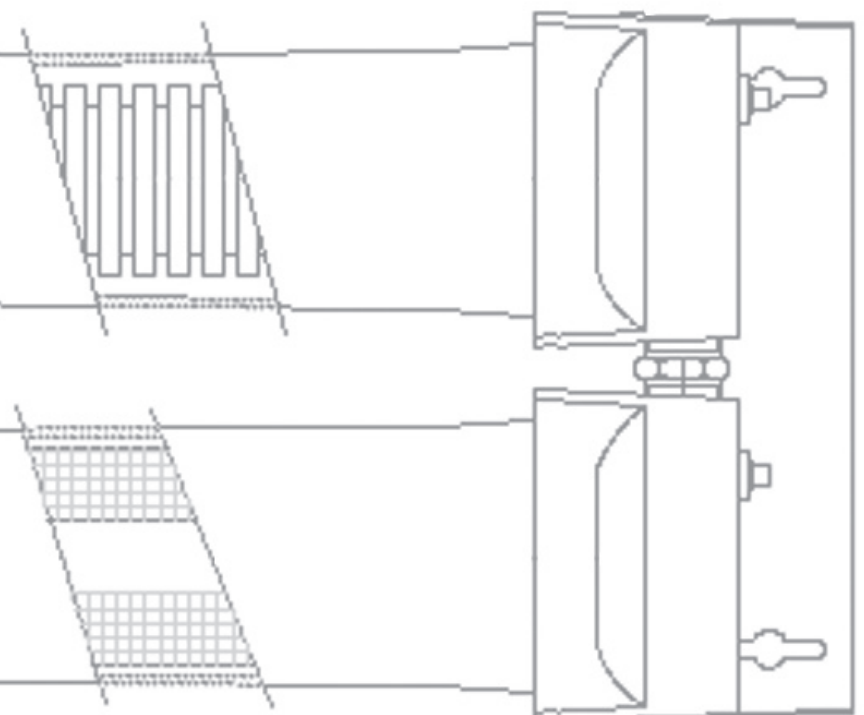
Quality Endorsed Company
ISO 9001 Lic 3827
SNI Global

Manufactured under a quality system certified as complying with ISO 9001 by an accredited certification body

Aqua-Pure®
WATER PURIFIERS

AP212 Whole of House Water Filter System

Installation & Operating Instructions



a 3M company



cunoau@mmm.com

www.cuno.com.au



1800 671 599

NEW ZEALAND
3M New Zealand Ltd

Auckland
250 Archers Road, Takapuna 1332

Phone: 09 444 4760 Fax: 09 444 2773 email: innovation@nz.mmm.com web: www.3m.com/nz

Congratulations!

You are about to benefit from purchasing a quality Aqua-Pure brand water filter system. The AP212 is designed for dirt/rust reduction and taste/odour improvement for a standard domestic home. The AP212 has been factory assembled and tested to ensure the system is in premium working order. When installed and maintained properly, the Aqua-Pure AP212 water filter system will provide a supply of good quality water for all uses in your home.

Installation Instructions

The Aqua-Pure AP212 whole of house water filter system comes fully assembled for installation.

The system includes:

- 3/4" non return isolating valve -BSP female inlet
- AP11S filter housing c/w 5 micron dirt rust cartridge (AP110)
- AP12S filter housing c/w 2 x granular carbon taste odour cartridges (AP117)
- 3/4" BSP male outlet

Filter cartridges are fitted into the housing

The AP212 System is designed to be installed on the outside wall of the house, after the garden tap, prior to your household reticulation system. If the system is prone to direct sunlight it is advisable that a small shade shroud be placed over the system.

The system comes with 3/4" BSP female inlet and male outlet. This being the standard size pipework for incoming mains on domestic houses. The system will require a section cut from the pipe of approx. 330 mm and has a height of approx. 700 mm.

1. Turn off the cold water supply.
2. The AP212 system is mounted by fixing the s/steel bracket to the wall of the house or suitable fixing point. Concrete plugs and coach screws are provided for use. Fixing screws or bolts will have to be purchased if these are not suitable.
3. At the located area cut the correct length of section from the 3/4 " pipe.

Note: ensure enough space is available for dual check valve, and pressure limiting valve if fitted.

Threaded 3/4 " BSP fittings are required for connection to the AP212. Compression fittings may be used as decided by the plumber. The System is designed for left side entry, pipework may have to routed for this design.

4. Once the unit has been fitted into the incoming water line the cold water supply should be slowly turned on. Slowly turn on the black headed valve of the AP212 and vent air from the housings by depressing the small red buttons on the head of each housing.

5. Run water through the system, by turning on a downstream tap, for 1-2 minutes to remove superficial dust and carbon fines. The water may appear to be "milky". Do not be concerned as this is caused by tiny air bubbles being expelled from the new cartridges.

The Aqua-Pure AP212 Whole House Water Filter System is now ready for you and your family to enjoy clean, good quality water.

Filter Cartridges

The heart of the AP212 system is the filter cartridges. These are installed within the two housings and need to be changed on a regular basis.

For filter housing #1

Model No. AP110

Aqua Pure graded density for dirt/rust reduction.

- Made by an exclusive process from pure white cellulose fibres.
- Graded from outer to inside of core for depth filtration increasing dirt holding capacity and life.
- Clean filtered water from the AP110 filter cartridge flows up the centre hole to the AP117 taste/odour filter cartridges.
- One (1) of these filter cartridges are required to be fitted into housing #1 of the AP212 system.

AP110 filter cartridge specifications

Micron 5 (nominal)
Height 97/8" (250mm)
Max. Temp 40°C

For filter housing #2

Model No. AP117

Aqua Pure graded density for taste/odour reduction.

- Heat sealed 'no mess' carbon filter cartridge.
- Built-in, 5 micron (nominal) prefilters and postfilter.
- Interchangeable in all existing single and multi-cartridge filter housings.
- Aqua Pure activated carbon filter cartridges reduce chlorine, colour, odours, organics and turbidity from water. The easy-to-change throwaway filter cartridge contains approx. 359grams of premium quality hard granular activated carbon.
- Two (2) of these filter cartridges are required to be fitted into housing #2 of the AP212 system.

AP117 filter cartridge specifications

Micron 5 (nominal)
Height 97/8" (250mm)
Max. Temp 40°C

When should the filter cartridge be replaced?

When any of the following conditions are experienced:

- 6 months service period has expired
- Water pressure or flow has substantially reduced.
- Taste and/or odour returns to the filtered water.

Do not install on line pressure above 900 kPa unless a certified pressure limiting valve is installed. Fit a certified dual check valve upon installation. Allow 50 mm under filter housing for cartridge changeout.

